

**COMICA**  
PROFESSIONAL AUDIO EQUIPMENT

# CVM-V30 LITE

Super Cardioid Condenser Lite Microphone



**USER MANUAL**

## Foreword

Thanks for purchasing COMICA CVM-V30 LITE Super-cardioid condenser lite microphone.

Comica CVM-V30 LITE Super-cardioid condenser lite microphone, suit for camera, smartphone. Meanwhile the Microphone is designed with excellent shock mount, no battery drive, super low noise electronics, super anti-interference, cold-shoe design with 1/4 thread at the bottom, compact and light. which makes recording more easier.

Please read this manual carefully before using. This product has been precisely calibrated at the factory, do not assemble and disassemble parts by yourself.

## Notice

- ⚠ When used with smartphone, please purchase separate audio cable adapter with corresponding interface.
- ⚠ For the Android system smartphone, the microphone works well in default audio mode, but default video mode will happen with incompatibility trouble while working with some smartphone; (Then we suggest you try the 3rd party's video APP);  
For the iOS system phone, the microphone works well in all default audio mode , video mode, and 3rd party's APP.
- ⚠ Please do not put the device beside the heat or interference source.
- ⚠ Please avoid falling, collision or pounding during usage.
- ⚠ Don't expose the device in rain or moist environment .

## Main Features

- .Super-Cardioid Polar Pattern
- .Support Smartphone & Camera
- .Excellent Shock Mount
- .No Battery Drive Design
- .Super Low Noise Electronics
- .Super Anti-interference
- .Cold-shoe Design with 1/4 Thread at the Bottom
- .Compact and Light, Easy to Carry



Support  
Camera&Smartphone



Low Self-noise



Super  
Anti-Interference



Super-Cardioid



Excellent  
Shock-absorbing

## Package Content



Microphone



User Manual

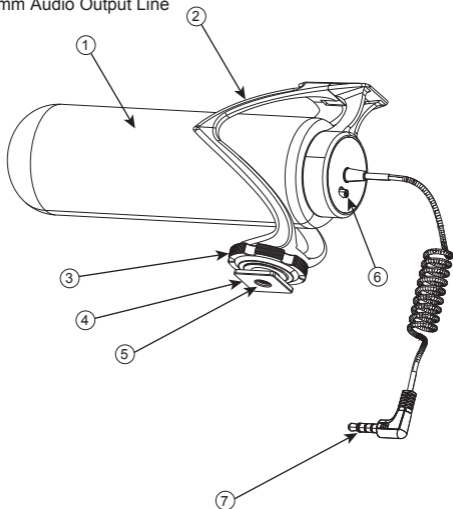


Warranty Card

## Components Introduction

### Microphone

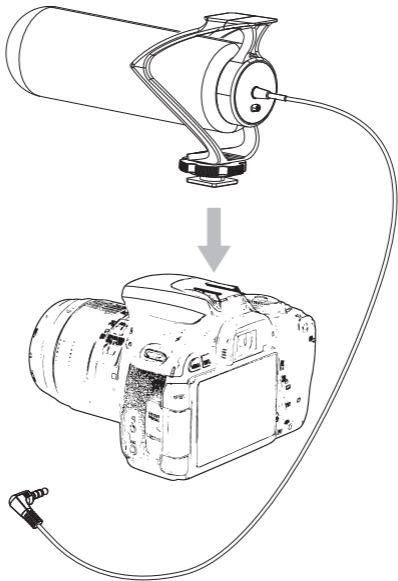
- ① Microphone Interference Tube
- ② Shock Mount
- ③ Locking Screw
- ④ Cold-shoe Bracket
- ⑤ 1/4 Screw Hole
- ⑥ Smartphone/Camera switch
- ⑦ 3.5mm Audio Output Line



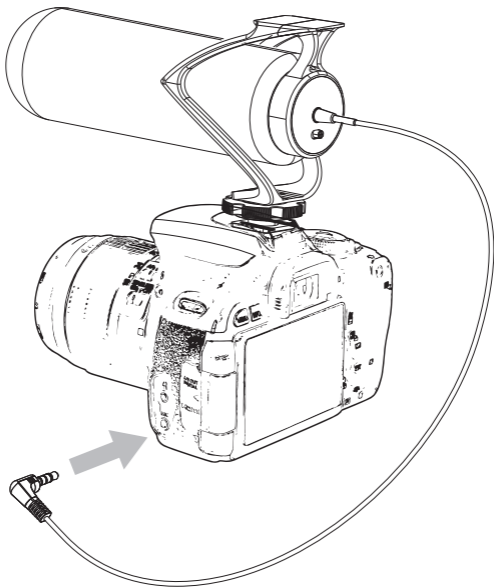
## Installation and Operation

### 1. Use with Camera

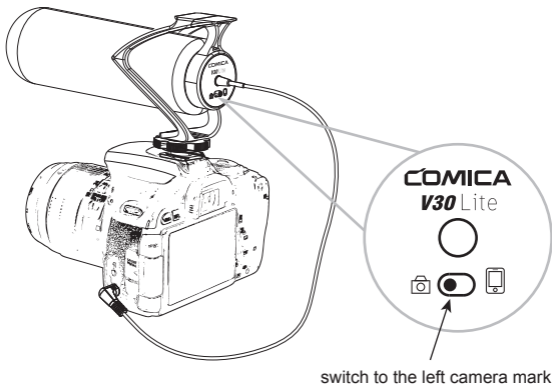
- 1.1 Attach the microphone cold shoe bracket to the camera, fasten the Locking Screw .



1.2 Connect the microphone's 3.5mm audio output line and Camera.



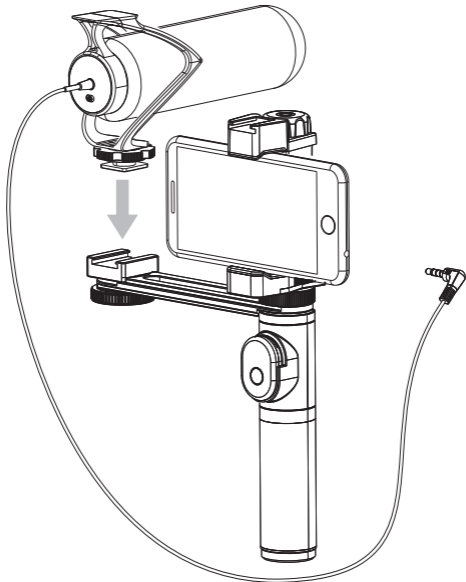
1.3 Set the smartphone/camera switch to the left camera mark.



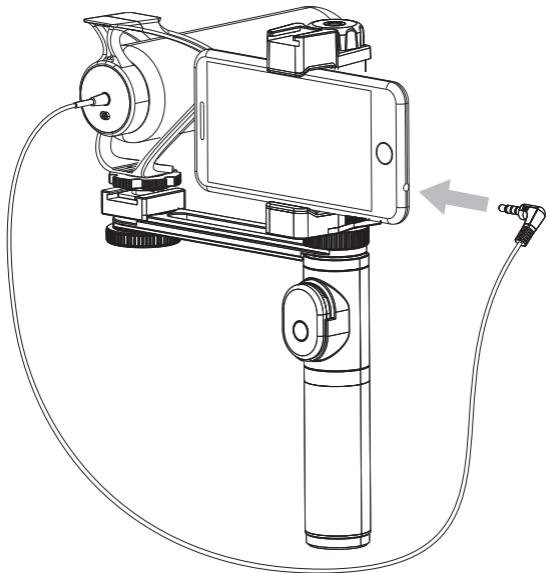


## 2. Use with Smartphone

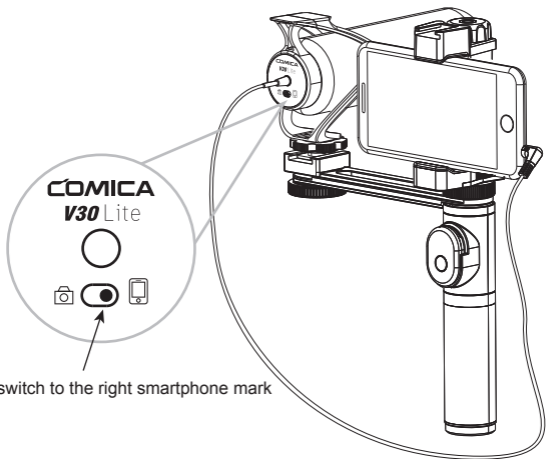
2.1 Mount microphone cold shoe bracket to accessories with cold shoe interface (recommended VF-H1 ), fasten the Locking Screw.



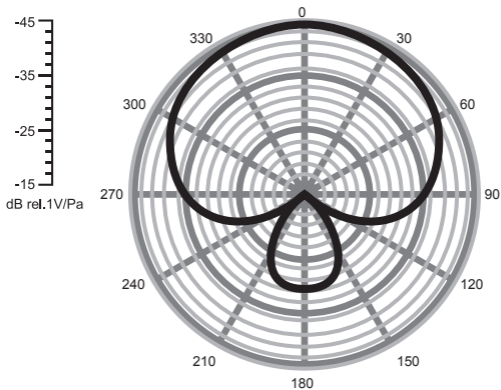
2.2 Connect the microphone's 3.5mm audio output line and smartphone.



2.3 Set the smartphone/camera switch to the right smartphone mark.



## Tech Parameters



Polar Pattern	Super Cardioid
Frequency Range	40Hz~20KHz
Output Impedance	2.2k $\Omega$
Max.SPL	>100dB
Sensitivity	-34dB $\pm$ 3dB
Signal to Noise Ratio	>68dB
Weight	52g
Dimension	160*50.8*86mm



[www.comica-audio.com](http://www.comica-audio.com)